

CONCENTRIC HEATERS

• All Stainless Concentric Venting

- 5" Outer & 3" Inner Diameter
- Zero Clearance Venting
- Single Wall Penetration

• Flexible Installation Options

- Adjustable venting
- Perfect for space and/ or air constrained Indoor locations.

• Built-in Remote

- *Commercial Grade Heat Exchanger*
- *Dual Flame Burner*
- *Resin Coated PC Board*
- *Quick Connect*
-Link 2 Heaters



NR83-DVC

NR98-DVC

NC199-DVC

- max temp setting: 180° (NR98) •
- max temp setting: 180° (NC199) •
- max temp setting: 140° (NR83) •
- 0.5 min gpm •
- quick-connect •
- super heat exchanger •

	NR83-DVC	NR98-DVC & NC199-DVC
Dimensions	23.6" (H) x 13.8" (W) x 9.4" (Depth)	23.6" (H) x 13.8" (W) x 10.2" (Depth)
Weight/ Connections	49 lbs./ 3/4" Water inlet & outlet, gas	55 lbs./ 3/4" Water inlet, outlet & gas
Gas Consumption	NG Max. 180,000 Btuh- Min. 18,000 Btuh	Max. 199,900 Btuh- Min. 11,000 Btuh
	LP Max. 180,000 Btuh- Min. 18,000 Btuh	Max. 199,900 Btuh- Min. 11,000 Btuh
Capacity Range	0.5-8.3 Gal./min.	0.5-9.8 Gal./min.
Energy Factor	0.82 (NG), 0.83(LP)	0.82 (NG), 0.84 (LP)
Thermal Efficiency	TBA	84%
Temperature Settings	100-140°F (in 5°F Intervals)	100-150°F (in 5°F Intervals), 160, 170, 180°F
Included Accessories	Built-in Remote Controller, Anchoring Screws, Factory Installed Power Cord	Built-in Remote Controller, Anchoring Screws, Factory Installed Power Cord



Noritz Stainless Steel Venting

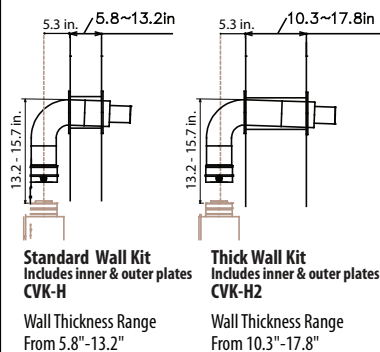


Features:

- Push-on connection.
- Single-wall penetration.
- No need to cut- adjustable for easy installations.
- Zero clearance to combustibles.
- Use of superior anti-corrosion material 316L for outlet port.
- Heat and chemical resistant fluorine rubber O-ring for secure sealing.

Horizontal Installation

Horizontal- Kits



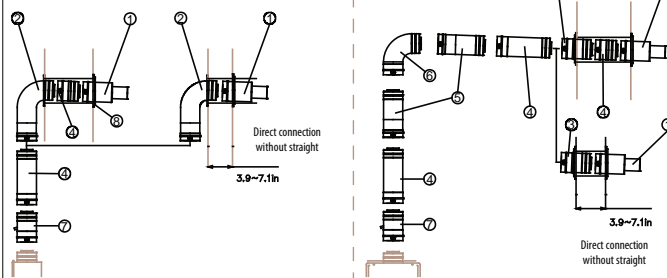
Standard Wall Kit
Includes inner & outer plates
CVK-H

Wall Thickness Range
From 5.8"-13.2"

Thick Wall Kit
Includes inner & outer plates
CVK-HZ

Wall Thickness Range
From 10.3"-17.8"

Horizontal- Build Your Own

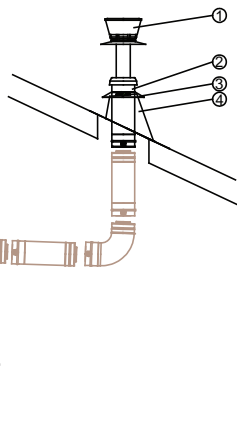


No	1	2	3	4	5	6	7
Description	Straight Bird Screen w/ Outer Plate	90° Adj w/ Wall Flange	Straight Vent Pipe w/ Wall Flange	Straight	Adjustable	45/90 Degree	Drain Tee
Part Number	CVT-5	CFW-90ELB	CFW	CVP-4/12/24/36STR	CVP-11/16/40ADJ	CVP-45/90ELB	CDT-V

Vertical Installation

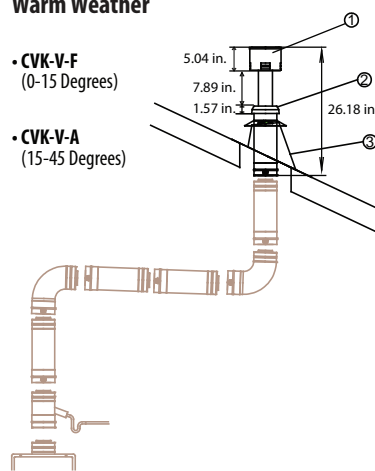
Vertical Kit Cold Weather

- **CVK-V-CF**
(0-15 Degrees)
- **CVK-V-CA**
(15-45 Degrees)



Vertical Kit Warm Weather

- **CVK-V-F**
(0-15 Degrees)
- **CVK-V-A**
(15-45 Degrees)



CVK-V-CF Contents		
No	Description	Part Number
1	Rain Cap	CRC
2	Air Intake Pipe W/ Snap Connection	CAIP1
3	Storm Collar	CSCR
4	Flat Roof Flashing (0-15 Degrees)	CFRF
5	Drain Tee	CDT-V

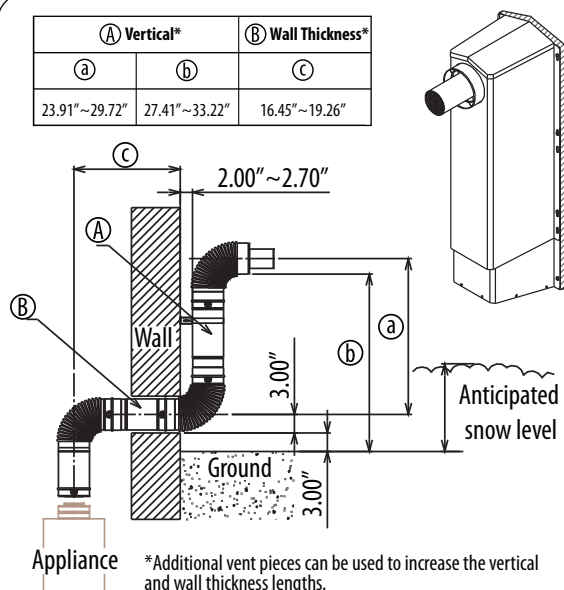
CVK-V-CA Contents		
No	Description	Part Number
1	Rain Cap	CRC
2	Air Intake Pipe W/ Snap Connection	CAIP1
3	Storm Collar	CSCR
4	Angled Roof Flashing (15-45 Degrees)	CARF
5	Drain Tee	CDT-V

CVK-V-F Contents		
No	Description	Part Number
1	Rain Cap w/ Air Intake Pipe	CRCAL
2	Storm Collar	CSCR
3	Flat Roof Flashing (0-15 Degrees)	CFRF

CVK-V-A Contents		
No	Description	Part Number
1	Rain Cap w/ Air Intake Pipe	CRCAL
2	Storm Collar	CSCR
3	Angled Roof Flashing (15-45 Degrees)	CARF

Snorkel Kit

A) Vertical*		B) Wall Thickness*	
a	b	C	
23.91"~29.72"	27.41"~33.22"	16.45"~19.26"	



Snorkel Kit (CVK-SNRK) Contents		
PCS	Description	Part Number
1	Snorkel case top	SNRK-C1
2	Snorkel case bottom	SNRK-C2
3	Concentric 11" adjustable vent pipe	CVP-11ADJ
4	Concentric 16" adjustable vent pipe	CVP-16ADJ
5	Concentric snorkel termination elbow	CVT-SNRK-90ELB
6	Concentric 90 degree elbow	CVP-90ELB
7	Concentric 90 degree adjustable elbow	CVP-90ADJELB
8	Adjustable support strap	SSS-3ADJ
9	Screw set	S-12



Northeast Contact
Jeff Kornhaas
12 Skyline Drive, Hawthorne, NY 10532
P: 201.306.3845
E: JKornhaas@noritz.com